

System 18RLFCC Submittal

AOU18RLFC, AUU18RLF

Compact Cassette

Job Name: _____ Approval: _____ Date: _____
 Location: _____ Construction: _____
 Engineer: _____ Unit #: _____
 Submitted to: _____ Drawing #: _____
 Submitted by: _____ Reference: _____



Outdoor Unit Power 208-230/VAC-1Ph-60Hz
 Available Voltage Range 187-253VAC
 Fuse Size, Max. 20A
 MCA 17.3A

Compressor Inverter Driven Variable Speed DC Rotary
 No. used 1
 Output 1000W
 Lubrican Oil POE (RB68)

Fan type Propeller
 Motor Output 115W
 Airflow Rate Cooling/Heating (High) 1457 / 1407CFM

Refrigerant 410A
 Outdoor Unit 2lbs 14oz
 Control Electronic Expansion Valve
 O.D. Discharge (in) 1/4"(Flare)
 O.D. Suction (in) 1/2"(Flare)

Dimensions H x W x D
 Uncrated (in) 24-1/2 x 31-3/32 x 11-11/32
 (mm) (620 x 790 x 290)
 Crated (in) 28-1/16 x 37-7/32 x 15-9/16
 (mm) (713 x 945 x 395)

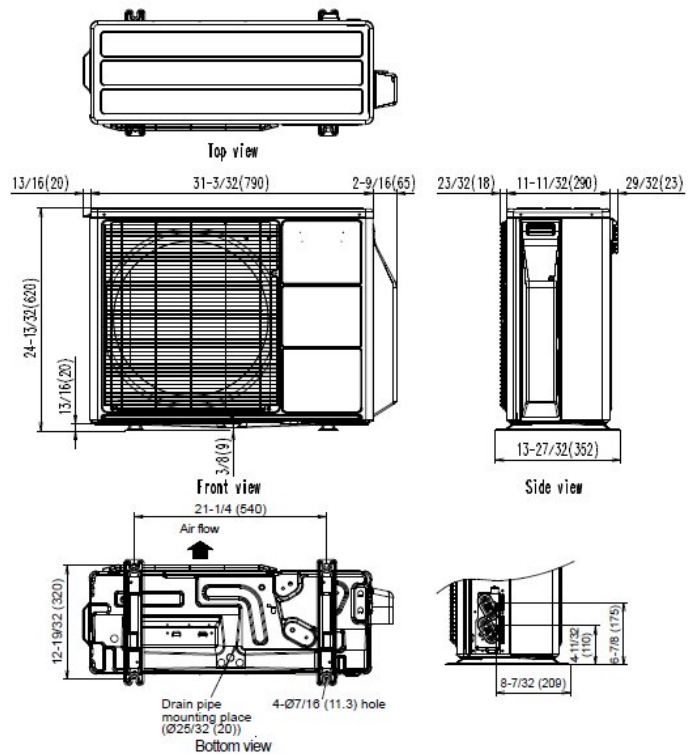
Weight Outdoor
 Net 86lbs (39kg)
 Gross Shipping 93lbs (42kg)

Cooling
 Rated Capacity 18,000BTU/h
 Min-Max Capacity 3,100~20,100BTU/h
 Rated Power Input 1.61kw
 Max. Power Input 2.15kw
 SEER 20.1
 Outdoor Sound Rating 54dB

Heating
 Rated Capacity 21,600BTU/h
 Min-Max Capacity 3,100~25,600BTU/h
 Rated Power Input 1.76kw
 Max. Power Input 2.60kw
 HSPF 11.5
 Outdoor Sound Rating 55dB

Piping Lengths
 Max. Piping Length (Total) 66ft
 Max. Pipe Height Difference 49ft
 Connection method (Flared)

Operating Range
 Cooling 14°F~115°F DB
 Heating -5°F~75°F DB

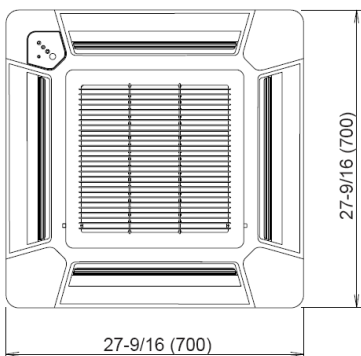


Fujitsu General America, Inc.
 Fairfield, NJ 07004
 Toll Free: 1-888-888-3424
 Fax: (973) 836-0447
 www.fujitsugeneral.com

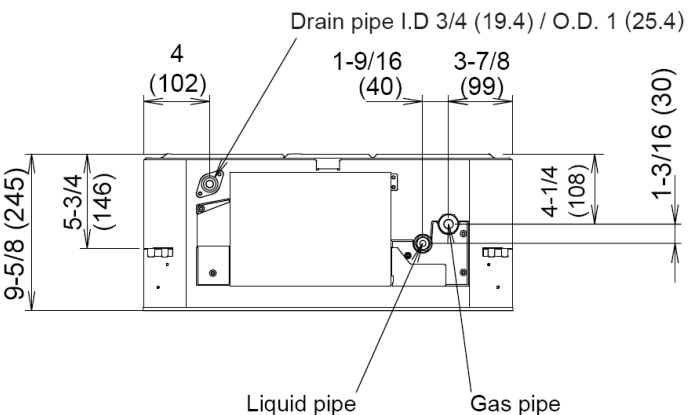
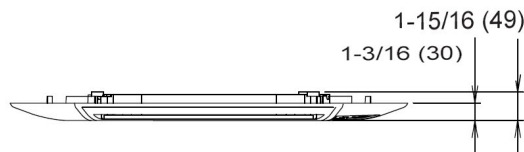
Fujitsu products are subject to continuous improvements. Fujitsu reserves the right to modify product design, specifications and information in this data sheet without notice and without incurring any obligations.



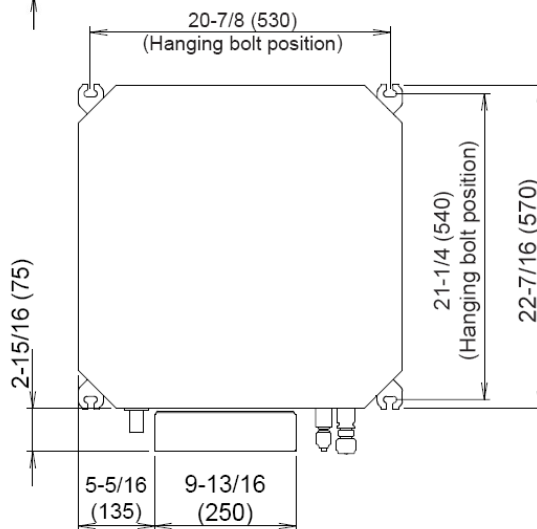
Power	V/Hz/P	230/60/1	Cooling Capacity	(BTU/h)	18,000
Fan type		Turbo	Moisture Removal	pt/h (l/h)	4.6 (2.2)
No. Motors	(W)	42-1	Heating Capacity	(BTU/h)	21,600
CFM	(Hi, Me, Lo, Qu)	441/359/306/241	Temperature Setting Range		
Sound Pressure Level	db (Hi, Me, Lo, Qu)	42/37/33/29	Cooling	°F(°C)	64~90 (18~32)
F.L. A.	(A)	.32	Heating	°F(°C)	60~88 (16~31)
Refrigerant		410A	Drain Pipe Size	OD in (mm)	Ø1 (25.4)
O.D. Discharge	in (mm)	1/4" (6.35)		ID in (mm)	Ø3/4 (19.4)
O.D. Suction	in (mm)	1/2" (12.7)	Condensate Pump Lift*	in (mm)	28 (700)
Dimensions		H x W x D	Remote Control Type	Wired (Wireless Optional)	
Unit Uncrated	(in)	9-21/32 x 22-14/32 x 22-14/32	Electrical Connection**	AWG	14/3 with ground
	(mm)	(245x570x570)	*Pump is capable of providing 28" of lift at no more than 6" away from the unit. Lift is measured from the suction of the pump which is located at the bottom of the unit and not the outlet of the condensate.		
Unit Crated	(in)	10-7/16 x 28-3/4 x 24-19/32	**Power and communication are fed from the outdoor unit.		
	(mm)	(265x730x625)			
Panel Uncrated	(in)	1-15/16 x 27-9/16 x 27-9/16			
	(mm)	(49x700x700)			
Panel Crated	(in)	4-23/32 x 30-1/8 x 29-23/32			
	(mm)	(120x765x755)			
Weight					
Unit Net	lbs. (kg)	33 (15)			
Unit Gross Shipping	lbs. (kg)	40 (18)			
Panel Net	lbs. (kg)	5.7 (2.6)			
Panel Gross Shipping	lbs. (kg)	10 (4.5)			



Grille
(sold separately)



Unit



Note:
 Specifications are based on the following conditions.
 Power source of specifications : 230V
 Cooling: Indoor temperature of 80°F(26.67°C)DB / 67°F(19.44°C)WB, and outdoor temperature of 95°F(35°C)DB/75°F(23.89°C)WB.
 Heating: Indoor temperature of 70°F(21.11°C)DB / 60°F(15.56°C)WB, and outdoor temperature of 47°F(8.33°C)DB/43°F(6.11°C)WB.
 Standard Static Pressure: 0.10in.WG (25Pa)
 Pipe length : 16.4ft. (5m) [Outdoor unit - Branch box], 9.8ft. (3m) [Branch box - Indoor unit]
 Height difference : 0 ft.(0m) [Outdoor unit - Indoor unit]

Fujitsu General America, Inc.
 Fairfield, NJ 07004
 Toll Free: 1-888-888-3424
 Fax: (973) 836-0447
 www.fujitsugeneral.com

Fujitsu products are subject to continuous improvements. Fujitsu reserves the right to modify product design, specifications and information in this data sheet without notice and without incurring any obligations.

